

This kit is designed to produce a model of a generic 4w open wagon for use with 016.5 and with modification 014.

No provision has been made for couplings, except coupler mounting points have been included for Kadée® Mk 5 couplings.

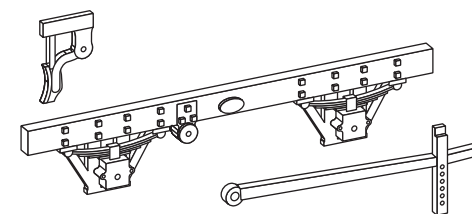
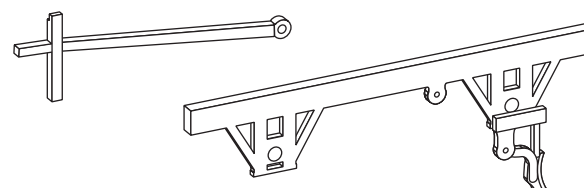
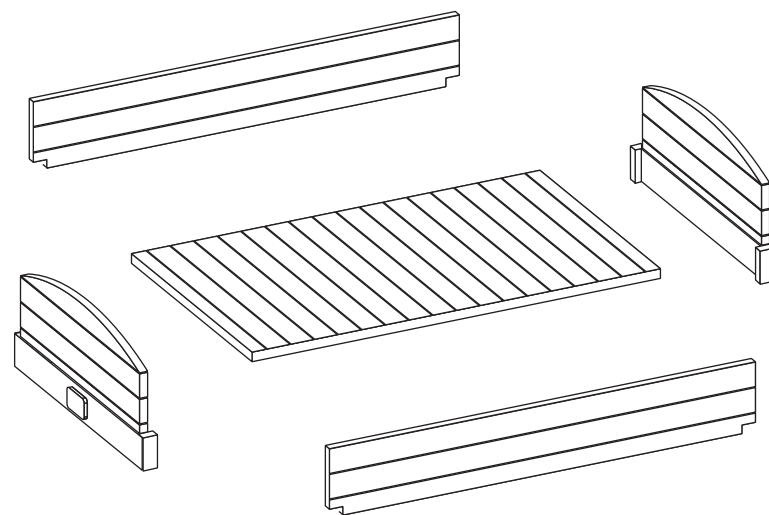
Use good quality polystyrene cement. If you are using the liquid version take care handling the parts because the plank lines draw the cement away from the joint very quickly.

Start by fitting the sides and ends onto the floor. Make sure that the sides sit square onto the floor. Glue the bearings into the axle holes. Fit one solebar, put the wheels in position and fit the other solebar.

Fit the brake blocks. If you wish to add a brake operating rod, it is necessary to drill through the pivot point on the solebar and the brake blocks (We suggest .7mm wire , not included).

The Brake lever fits between the front of the solebar pivot and the rear of the pad on the right hand end of the solebar.

If you choose to use Kadée® Mk 5 couplings, fit the coupling point at the ends and file through the bufferbeam to match the height of the pad.



Assembly Instructions

RC7891 016.5 2 Plank Open Wagon