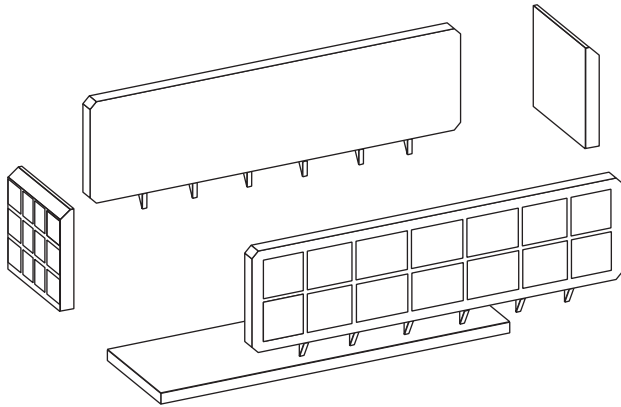


# Assembly Instructions

This kit is designed to produce a model of the Rebodyed SSA Steel Scrap Wagon and is intended to fit onto a PECO 15ft underframe (not included). An alternative kit will be produced to model the wagon on the correct Gloucester pedestal underframe.

Use good quality polystyrene cement. If you are using the liquid version take care handling the parts because the cement can be drawn away from the joint very quickly.

Fit the sides and ends onto the floor. Take care to join the sides and ends accurately because there are some very small subtle angles at the Top and Bottom.



To fit onto the PECO underframe file the top off flat. Fit the couplings using the small blocks we provide and attach the new body.

If you are modelling the wagon loaded use the Peco weigh inside the wagon. If you are modelling the wagon empty, add some weight under the floor.

They are painted EWS Maroon and are numbered in the 4701XX series.



## RC 1053 SSA Rebodyed Scrap Wagon

To fit onto an NR122 PECO 15ft underframe (not included)